

HARSA-VANENBURG WESPE I
Assembly sheet

This model is made of 30 pieces to be cut from a card stock sheet.

What do you need?

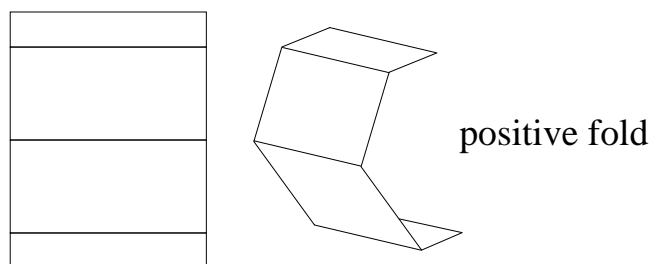
- 1-A good printer and some A4 size white card stock, 0,3 mm thick, 200 grams per square meter or equivalent.
- 2-A hard surface to use as a cutting board.
- 3-A sharp cutter.
- 4-A metal ruler. A plastic one might work as well.
- 5-A backlighted board.
- 6-A good quality pastel fixing spray laquer (just to prevent the glue from running and cause the bleeding the print ink)
- 7-Your favourite brand of paper glue or any suitable art adhesive or cement.

What to do?

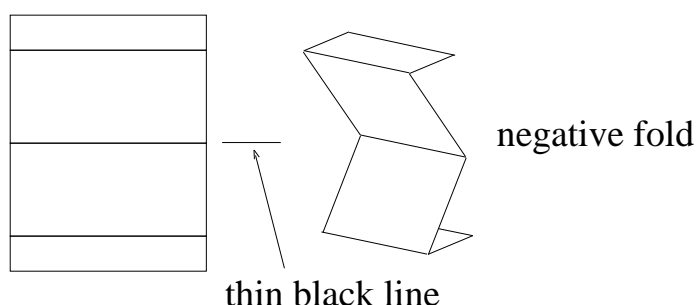
To start with...

This is a very basic set of instructions that will work for each of my models.

1-White surfaces are generally meant to be joining/cementing surfaces. Thin black lines are shallow folding incisions for "positive" folds (those on the side of the cutout part that you see). Before starting practice a little on one of the edges of the cardboard stock you are using just to see how deep can you go without cutting through the sheet, to obtain a a correct fold.

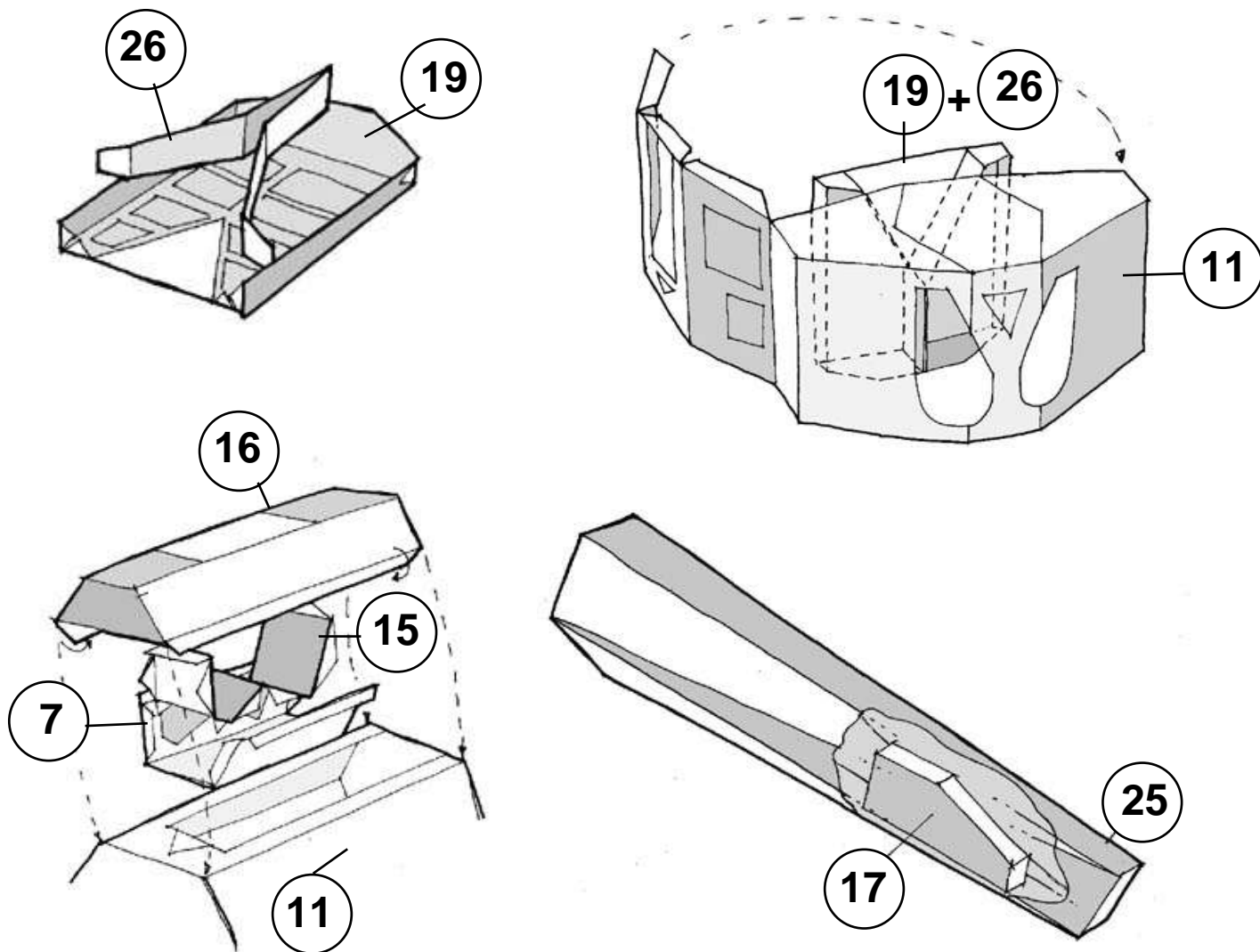


2-"Negative" folds (those to be cut on the other side of the sheet) are marked by a thin black line placed on the outside of the cutout part to be folded.



3-Dry fit each and every part before cementing in place. Some of the joining tabs might have to be trimmed. Do not use too much glue to join parts.
4-Do not rush! Follow the directions. I carefully studied the assembly of every and each model to make it an enjoyable experience... There are no shortcuts!

Just in case you find a shortcut... Let me know!!!!!!!!!!!!!!!!!!!! :-))



WARNING!

I cannot be held responsible for any accidental stabbing, addiction from glue fumes, nervous breakdown or any other type of physical damage that might occur while assembling this paper model! :-)

Kids and all those not fit to handle sharp tools should not attempt to build this model alone and should be supervised.

Do not cut yourself! It hurts a lot and can cause permanent damage!!!

